


TRANSPARENT OBJECT C23


PHOTOELECTRIC SENSORS

ADVANTAGES

C23 Transparent UV

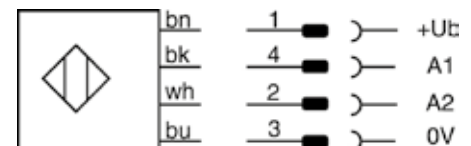
- ✓ Extremely reliable detection thanks to strong absorption of UV light by plastic and glass material
- ✓ Easy sensor set-up, even for thinnest transparent objects
- ✓ Low environmental sensitivity minimizes threshold adjustments and maximizes uptime
- ✓ Autocollimated, polarized UV light beam eliminates blind zone, allowing detection of targets close to the sensor or through a small notch
- ✓ Sensing range up to 1200 mm
- ✓ Adjustment by teach button or  IO-Link
- ✓ Mutual interference immunity
- ✓ Enclosure rating IP 67, Ecolab approved

C23 Transparent Standard

- ✓ Sensing range up to 5000 mm
- ✓ Red polarized light
- ✓ Suitable for thicker or larger transparent objects
- ✓ Adjustment by potentiometer or by teach button or  IO-Link
- ✓ Enclosure rating IP 67, Ecolab approved

WIRING DIAGRAM

PNP or NPN, 2 outputs



OVERVIEW	C23 TRANSPARENT UV	C23 TRANSPARENT STANDARD
Housing material	ABS / PMMA	ABS / PMMA
Degree of protection	IP 67	IP 67
Supply voltage range	15 ... 30 VDC	10 ... 30 VDC
Ambient temperature range	-25 ... +55°C / -13 ... +131°F	-25 ... +65°C / -13 ... +149 °F
Output current (total both outputs)	≤ 100 mA	≤ 100 mA
Compatible reflectors	See pages 304-305	See pages 303-304
Compatible mounting bracket	See pages 296-297	See pages 296-297

C23 UV LIGHT



C23

HOUSING SIZE MM

□ 20 X 30 X 10

□ 20 X 30 X 10

OPERATING PRINCIPLE

TRANSPARENT REFLEX

TRANSPARENT REFLEX

SENSING RANGE MM

1200

1200

Inductive

Photoelectric

Safety

RFID

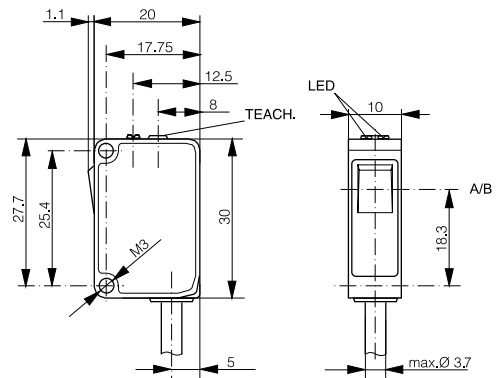
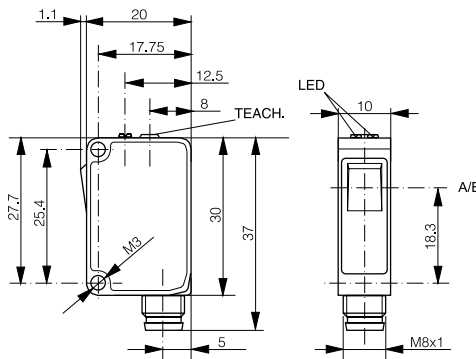
Connectivity

Accessories

Glossary

Index

PHOTOELECTRIC



A: emitter axis B: receiver axis

A: emitter axis B: receiver axis

DATA

IO-Link

IO-Link

Light source

LED UV 275 nm, Risk Group 2

LED UV 275 nm, Risk Group 2

Switching frequency (normal mode)

≤ 1000 Hz

≤ 1000 Hz

Setup

Teach button or IO-Link

Teach button or IO-Link

PNP Light-ON + Dark-ON

TRU-C23PA-TMS-603

TRU-C23PA-TMK-603

PNP Dark-ON + stability alarm

TRU-C23PA-TMS-60D

TRU-C23PA-TMK-60D

NPN Light-ON + Dark-ON

TRU-C23PA-TMS-101

TRU-C23PA-TMK-101

NPN Dark-ON + stability alarm

TRU-C23PA-TMS-10B

TRU-C23PA-TMK-10B

Other types available